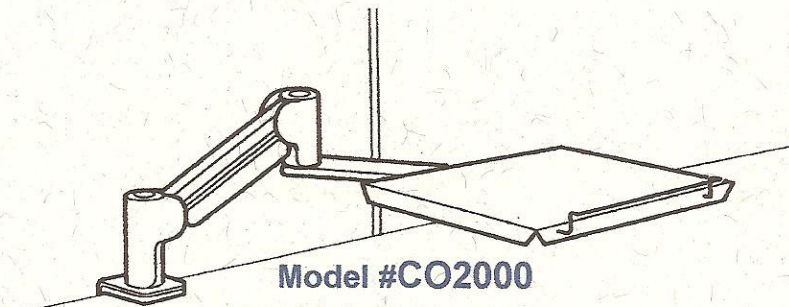


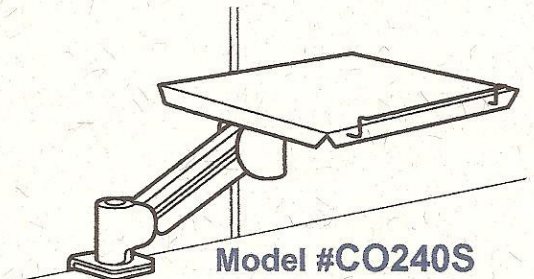
## Monitor Arms

Dennis T. Kondo has greatly expanded its line of heavy duty monitor arms. The new, cost effective #MA465D Monitor Arm has an excellent weight range capacity. DTK is also carrying the popular Consul #CO240S and #CO2000 units and new CompX #9431G(not shown) at a very competitive cost. All are height adjustable with counterbalanced gas spring arms, rotate 360°, are finished in a neutral computer grey, attach to a work surface with a heavy duty clamp and have a pullout keyboard rest.



**Model #CO2000**

**Weight Capacity: 20-50 lbs.**  
**List Price: \$504.00/each**



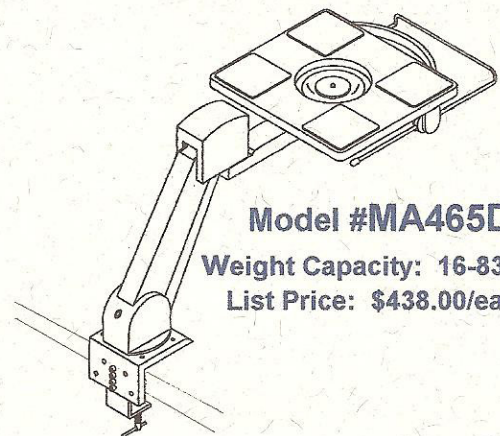
**Model #CO240S**

**Weight Capacity: 35-95 lbs.**  
**List Price: \$574.00/each**

Other models and styles are available from DTK. Wall mount and grommet mount brackets are optional for all the units shown. As an approximate reference guide only, monitor weights are roughly as follows:

- 15" about 20-35 lbs
- 17" about 40-45 lbs
- 19" about 50-60 lbs
- 21" about 75-85 lbs

The actual weight of the monitor must be verified prior to installation. There is a very wide variance in the weight of monitors, depending on the manufacturer, model and age.



**Model #MA465D**

**Weight Capacity: 16-83 lbs.**  
**List Price: \$438.00/each**

All pricing is list, not including freight, installation or sales tax, F.O.B. DTK, Santa Ana, CA.  
Prices and specifications are subject to change without prior notice. All units are cartoned KD and can ship via UPS.



**DENNIS T. KONDO**  
CUSTOM WOODWORKING PRODUCTS  
3202 Croddy Way  
Santa Ana, CA 92704

Tel: (714)850-1789  
Fax: (714)850-1693  
E-mail: DTKondo@aol.com